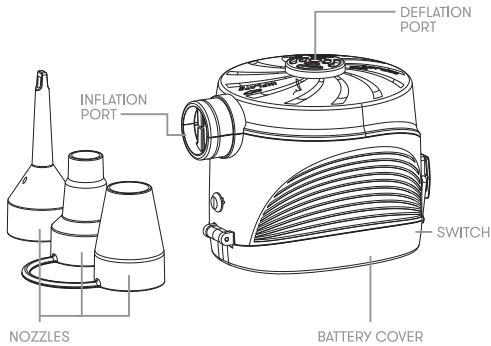


LUXFETISH

6PC INFLATABLE BDSM SEX SOFA SET

WITH PUMP, PREMIUM WRIST & ANKLE CUFFS, AND SATIN BLINDFOLD

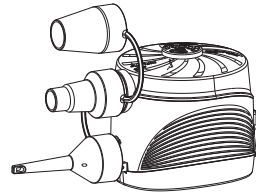
OPERATING YOUR AIR PUMP



WARNING:

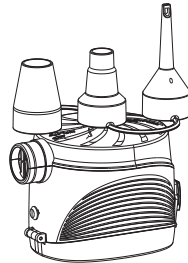
- The air pump must be powered by DC 6V (4 D-cell batteries).
- This pump is intended to inflate/deflate items, such as inflatable boats, air mattresses, etc. It is not designed for continuous use.
- This product can be used to deflate items such as compressed bags and various vacuum bags, etc.
- Keep the air pump out of the reach of children.
- Do not obstruct the inflation/deflation port and keep them ventilated all the time.
- For fast inflation and to shorten the motor's working time, always use the compatible adapter according to the size of the valve of the inflatable item.
- In order to protect the safety of users, please ask a professional to make any necessary repairs to the air pump.
- When using the air pump, keep an eye on the device and never leave it unattended.
- Follow the inflation instructions while inflating and do not exceed the recommended pressure. Over-inflating the device can cause it to burst.
- When using the air pump, avoid letting hard small particles such as sand and stones near the air intake.
- When using the air pump, do not point the air inlet at a person's eyes or other parts of the body.
- Do not place the air pump in a humid place; it must be kept in a dry place.
- Never attempt to put hands or fingers into the inflation / deflation port at any time.
- When using the air pump, allow it to rest for 5 minutes and inflate every 10 minutes.

WARNING: Install batteries to correct polarity. Do not mix new with used batteries. Installation by an adult is required. Dispose of batteries responsibly — do not dispose of in fire. Keep out of reach of children.



INFLATION:

1. To begin inflating, open external topper of valve and pull it to extend out.
2. Attach the adapter nozzle to the inflation end of the pump.
3. Insert the pump and use the "-" switch to increase the inflation and, turn the switch off by pushing backward on the position "0".
4. When fully inflated, seal valve by pushing in with pump nozzle to maintain seal. Gently twist adapter while detaching pump from the valve.
5. Remove pump and close external stopper.



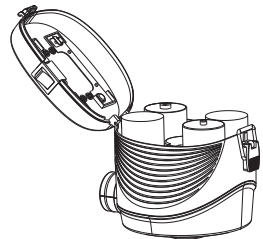
DEFLATION:

Remove adapter nozzle from inflation end and attach to deflation end of pump. Repeat same steps as inflation.

REPLACING BATTERIES:

When battery power is low, that means the batteries need to be replaced.

1. Open the battery button to open the battery cover.
2. Take out the old batteries and insert 4 new D-cell batteries.
3. Lock the battery cover.



WARNING: Pay attention to the "+" and "-" ends of the batteries when replacing them.

BATTERY DC ELECTRIC AIR PUMP

MODEL: 8209A

